

SOLCON *i*Start

Soft Starter

Digital Soft Starter with built-in bypass
for power from 17A to 1100A

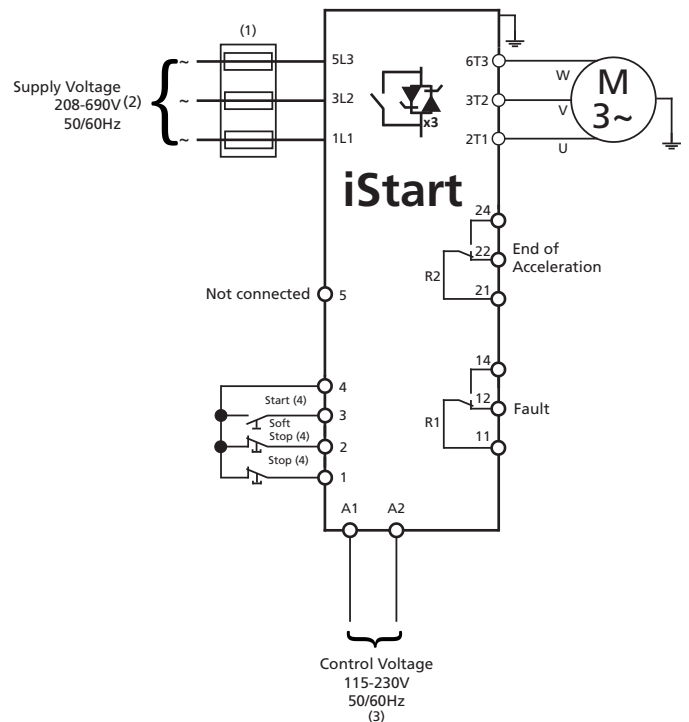


Technical Data /Start																				
Model	iStart-17	iStart-31	iStart-44	iStart-58	iStart-72	iStart-85	iStart-105	iStart-145	iStart-170	iStart-230	iStart-310	iStart-350	iStart-430	iStart-515	iStart-590	iStart-690	iStart-720	iStart-850	iStart-960	iStart-1100
Output Current (A)	17	31	44	58	72	85	105	145	170	230	310	350	430	515	590	690	720	850	960	1100
Power Rating (kW)	7,5	15	22	30	37	45	55	75	90	110	160	200	250	290	330	400	415	500	560	630
Supply Voltage	208V to 400V / 208V to 600V and from 230A additional 208V to 690V (resp. + 10%-15%) (to be specified)																			
Frequency	45 – 65Hz																			
Control Supply	115V or 230V (to be specified) +10% - 15%																			
Load	3ph. squirrel cage induction motor, Motor Full Load Ampere = 50-100% of Full Load Current																			
Torque Control Curves	Field selectable curves preventing Over-pressure during start and Water Hammer during stop																			
Pulse Start Duration	A pulse of 80% Un, adjustable range 0.1-1 sec.																			
Initial Voltage	5-80% Un																			
Initial Current	100-400% of Motor FLA																			
Current Limit	100-500% of Motor FLA																			
Acceleration Time	1-90 sec																			
Deceleration Time	1-90 sec																			
Motor Connection	Inline or Delta (In case of Delta a 0,67 times smaller softstarter can be used)																			
Protection Features	Maximum number of starts incl. Start inhibits / Long Start Time / Over Current / Adjustable IEC and NEMA curves / Under Current / Under Voltage / Over Voltage / Heat Sink Over Temperature / External Fault																			
Control	LCD in 4-filed selectable languages and 4 LEDs.																			
Keypad	6 keys for easy setting																			
R1, R2	2 Relays, 8A, 250VAC, 2000VA																			
DI1 / DI2 / 3DI	3 digital input terminals, via internal or external 24VDC controllable																			
Temperatures	Operating: -10 to 50°C.																			
Storage	-20° to 70°C																			
Protection Class	for frame size up to 85A IP20, from 105A IP00																			
EMC Emissions	EN 55011 CISPR 11 Class A																			
Safety	EN 600947-1 Related to safety requirements																			
UL	Designed and assembled to conform with UL508C																			
Accessories	Devicenet / Modbus RS-485 / Profibus / Analog Output / Temperature sensor PT100 / Increased protection regarding ambient conditions / Optional fans for 17-170A to increase starting frequency, from 230A fan integrated																			

Dimensions and Weight

Model	Output Current (A)	Dimensions (mm) W x H x D (w/o opt. fan)			Weight (kg) (w/o opt. fan)
iStart-17-480-230-24-0-S	17	122	245	147	3
iStart-31-480-230-24-0-S	31	122	245	147	3
iStart-44-480-230-24-0-S	44	122	245	147	3
iStart-58-480-230-24-0-S	58	132	275	208	5
iStart-72-480-230-24-0-S	72	132	275	208	5
iStart-85-480-230-24-0-S	85	132	275	208	5
iStart-105-480-230-24-0-S	105	175	388	234	11
iStart-145-480-230-24-0-S	145	175	388	234	11
iStart-170-480-230-24-0-S	170	175	388	234	11
iStart-230-480-230-24-0-S	230	375	644	275	37
iStart-310-480-230-24-0-S	310	375	644	275	37
iStart-350-480-230-24-0-S	350	375	644	275	37
iStart-430-480-230-24-0-S	430	375	644	285	38
iStart-515-480-230-24-0-S	515	480	691	300	47
iStart-590-480-230-24-0-S	590	480	791	300	56
iStart-690-480-230-24-0-S	690	480	791	300	56
iStart-720-480-230-24-0-S	720	510	791	305	60
iStart-850-480-230-24-0-S	850	510	791	305	60
iStart-960-480-230-24-0-S	960	559	815	316	85
iStart-1100-480-230-24-0-S	1100	559	815	316	85

Wiring example



Specifications are subject to change without notice - Printed in Germany 06/18 - Form: 18a22057



esco antriebstechnik gmbh · Biberweg 10 · D-53842 Troisdorf

Tel. (0 22 41) 48 07 - 0 · Fax. (0 22 41) 48 07 - 10

E-Mail: info@esco-antriebstechnik.de · Internet: www.esco-antriebstechnik.de